

VisualClient-APL

WIDESCREEEN, FANLESS, IMMEDIATE INTEGRATION



15.6" / 18.5" / 21.5" WIDESCREEEN OPEN FRAME PANEL PC WITH INTEL® APOLLO LAKE SOC PROCESSOR

- ▶ 1x HDMI, 1x DP for display output
- ▶ 2x GbE LAN for Ethernet
- ▶ 4x USB 3.0, 2x RS232/422/485 for peripheral connection
- ▶ 1x 2.5" SATA 3.0 HDD / SSD for storage
- ▶ 1x mPCIe, 1x M.2 Key B for expansion

VisualClient-APL

15.6" / 18.5" / 21.5" WIDESCREEN OPEN FRAME PANEL PC WITH INTEL® APOLLO LAKE SOC PROCESSOR

VisualClient-APL is a fanless open frame panel PC powered by Intel® Apollo Lake SoC Processor, Pentium® N4200. It can be immediately integrated in many applications such as digital signage, kiosk and HMI automation.

Besides a 16:9 widescreen LCD display, it is equipped with 1x DP and 1x HDMI for additional video output. Touch screen can use

either 5-wire resistive single-touch or 10-point PCT multi-touch panel depending on applications or requirements.

The device reserves one mPCIe slot and one M.2 Key B slot, allowing users to install interface cards for specific application and connectivity.

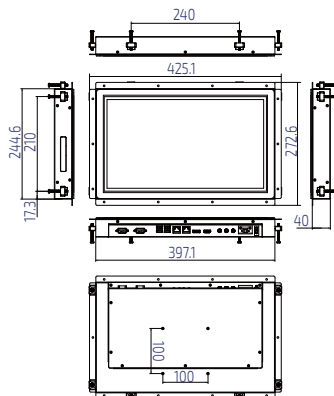
▶ PRODUCT HIGHLIGHTS

- ▶ 15.6" / 18.5" / 21.5" 16:9 widescreen LCD display
- ▶ 5-wire resistive or 10-point PCT touch panel
- ▶ Intel® Apollo Lake SoC Processor, Pentium® N4200
- ▶ 2x DDR3L SO-DIMM
- ▶ 1x HDMI, 1x DP for video output
- ▶ Triple display support
- ▶ 2x GbE LAN for Ethernet
- ▶ 4x USB 3.0, 2x RS232/422/485 for peripherals
- ▶ 1x 2.5" SATA 3.0 HDD / SSD for storage
- ▶ 1x mPCIe, 1x M.2 Key B for expansion
- ▶ Passive cooling design

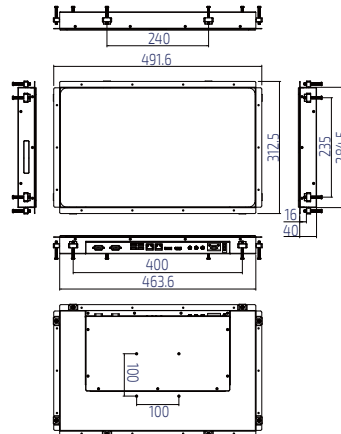


▶ MECHANICAL DIMENSIONS

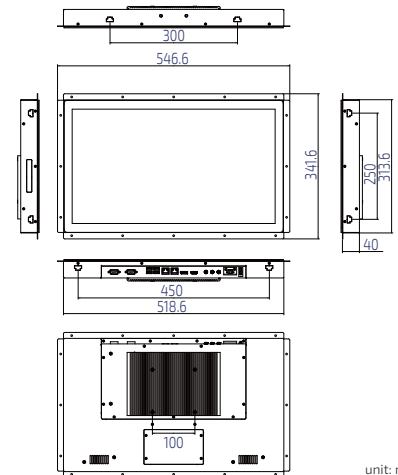
▶ 15.6" Model



▶ 18.5" Model



▶ 21.5" Model



unit: mm

► TECHNICAL INFORMATION

System	Processor Memory	Intel® Pentium® N4200 (Quad Core, 2M Cache, up to 2.50 GHz, FCBGA1296, 6 W TDP) 2x DDR3L 1867 50-DIMM Socket		
Video	Graphics Display Size Aspect Ratio Backlight Resolution Brightness (cd/m², typ.) Contrast Ratio (typ.) Color Viewing Angle (L/R/H/L) Touch Display Interface Multiple Display	Intel® HD Graphics 505 15.6 inch 16:9 LED 1366 x 768 WXGA 300 500:1 262K / 16.7M 80° / 80° / 80° / 80° 5-wire Resist. / 10-pt PCT 1x HDMI (3840 x 2160 @ 30 Hz, on rear) 1x DP (4096 x 2160 @ 60 Hz, on rear) Triple	18.5 inch 16:9 LED 1366 x 768 WXGA 300 1000:1 16.7M 85° / 85° / 80° / 80° 5-wire Resist. / 10-pt PCT	21.5 inch 16:9 LED 1920 x 1080 Full HD 250 5000:1 16.7M 89° / 89° / 89° / 89° 5-wire Resist. / 10-pt PCT
Audio	Audio Codec Audio Interface	Realtek ALC662 1x Line-in (on rear) 1x Line-out (on rear) 1x Mic-in (on rear)		
Network Connection	Ethernet	2x GbE LAN (RJ45 on rear, Intel® I210-AT)		
Peripheral Connection	USB Serial Port	4x USB 3.0 (Type A on rear) 2x RS232/422/485 (DB9 on rear, auto flow control function for RS485)		
Storage & Expansion		1x 2.5" SATA 3.0 HDD / SSD 1x mPCIe (full size) 1x M.2 Key B (mixed w/ USB 2.0 / SATA type 22 x 42) 1x SIM Card Cage (optional, switchable between mPCIe and M.2)		
Power	Connector Input Voltage Power Adapter	Phoenix Connector (on rear) DC 12 V AC to DC, 100 V ~ 240 V		
Firmware	BIOS Watchdog H/W Monitor Real Time Clock TPM	AMI uEFI BIOS w/ 128 Mb SPI Flash Programmable WDT to generate system reset event Voltages, Temperatures Processor integrated RTC Optional (Infineon SLB 9665 TPM 2.0)		
System Control	Button & Switch	1x Power Switch (on rear)		
Cooling	Cooling Method	Passive		
Software	OS Support	Windows 10, Linux		
Mechanical	Construction Dimensions (W x H x D) Weight Mounting	Open Frame Metal Chassis 425.1 mm x 272.6 mm x 40 mm (16.74" x 10.73" x 1.57") 2450 g (7.61 lb) Open Frame Mount, VESA Mount, Panel Mount	491.6 mm x 312.5 mm x 40 mm (19.35" x 12.30" x 1.57") TBD	546.6 mm x 341.6 mm x 40 mm (21.52" x 13.45" x 1.57") TBD
Environmental	Operation Temperature Storage Temperature Humidity	0 °C ~ 50 °C / 32 °F ~ 122 °F -20 °C ~ 60 °C / -4 °F ~ 140 °F 0 % ~ 95 %		
Certification	EMC & Safety	CE, FCC Class A		

► ORDERING INFORMATION

ARTICLE	DESCRIPTION
VisualClient-APL3-156-O	15.6" 16:9 screen
VisualClient-APL3-185-O	18.5" 16:9 screen
VisualClient-APL3-215-O	21.5" 16:9 screen

OPTIONAL ACCESSORIES

VESA MOUNTING KIT	Hole pattern: 100 mm x 100 mm & 75 mm x 75 mm, dimension: 163 mm x 130 mm
POWER ADAPTER	AC to DC, 100 V ~ 240 V
POWER CORD	

► GLOBAL HEADQUARTERS

KONTRON S&T AG

Lise-Meitner-Str. 3-5
86156 Augsburg, Germany
Tel.: + 49 821 4086 0
Fax: + 49 821 4086 111
info@kontron.com
www.kontron.com