

KONTRON RuggedClient-HSW

TOUCH SCREEN, ANTI-SPRAY



15" / 17" INDUSTRIAL TOUCH PANEL PC WITH INTEL® HASWELL M-SERIES PROCESSORS

- ▶ 1x HDMI, 1x DVI-D, 1x VGA for display output
- ▶ 2x GbE LAN for Ethernet
- ▶ 4x USB 3.0, 2x RS232/422/485, 2x RS232, 1x DIO for peripheral connection
- ▶ 1x 2.5" SATA HDD / SSD for storage
- ▶ 2x mPCIe for expansion

KONTRON RuggedClient-HSW

15" / 17" INDUSTRIAL TOUCH PANEL PC WITH INTEL® HASWELL M-SERIES PROCESSORS

Powered by Intel® Haswell processor, Kontron RuggedClient-HSW Panel PC has excellent performance in both computing and graphics. It also reserves space for one 2.5" SATA HDD / SSD slot for storage expansion, OS upgrade or other data security applications. With a variety of I/O ports and expansion slots including 2x GbE LAN, 4x USB 3.0, 4x COM, 1x HDMI, 1x DVI-D, 1x VGA, 1xDIO and 2x mPCIe, it easily meets a broad range of

customer requirements.

Moreover, it features the compact chassis, friendly human-machine interface, good resistance to shock, vibration and temperature, making it an ideal solution to tough industrial environments.

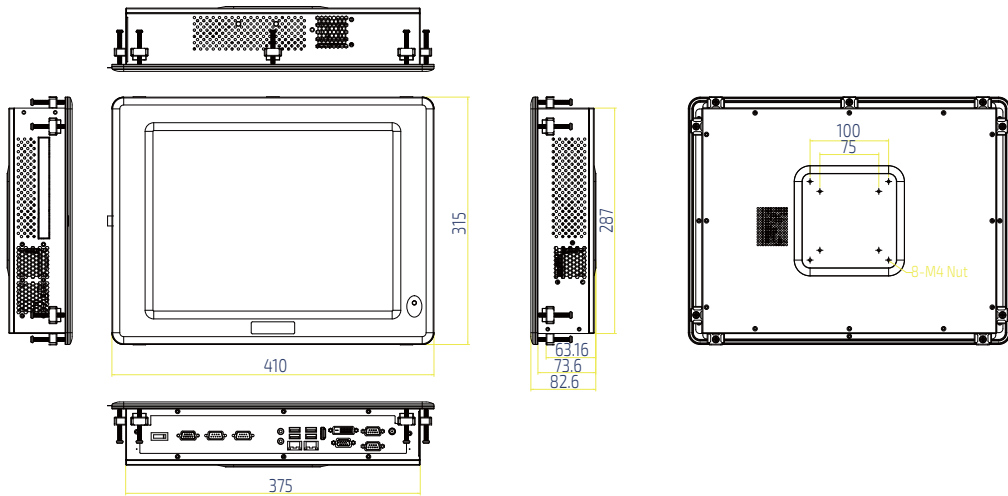
▶ PRODUCT HIGHLIGHTS

- ▶ 15" / 17" 5-wire resistive single touch LCD display
- ▶ Intel® Haswell M-Series Processors (FCPGA946 Socket)
- ▶ Intel® HM87 / QM87 Express Chipset
- ▶ 2x DDR3L SO-DIMM
- ▶ 1x HDMI, 1x DVI-D, 1x VGA for video output
- ▶ 2x GbE LAN for Ethernet
- ▶ 4x USB 3.0, 4x COM, 1x DIO for peripheral connection
- ▶ 1x 2.5" SATA HDD / SSD for storage
- ▶ 2x mPCIe for expansion
- ▶ IP65 front design

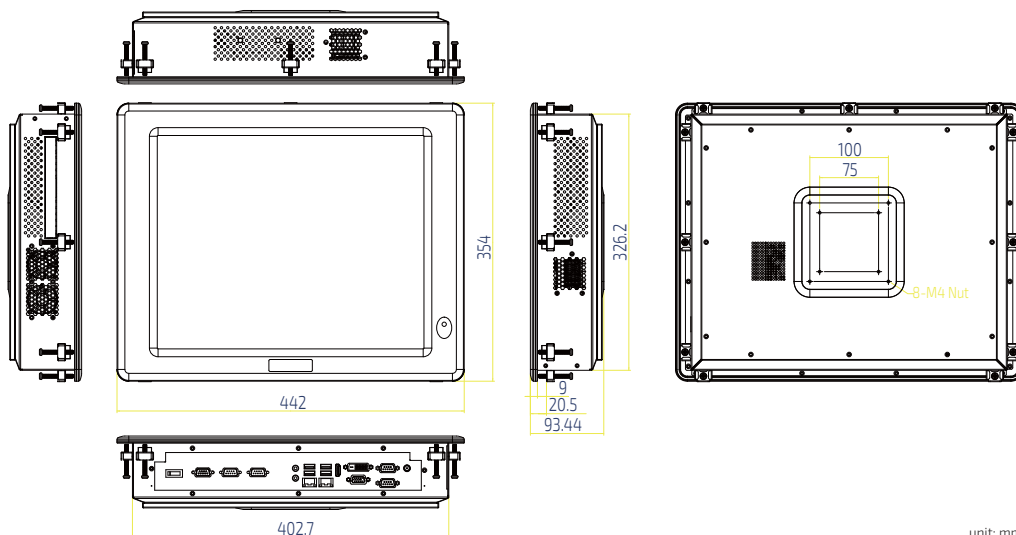


▶ MECHANICAL DIMENSIONS

▶ 15" Model



▶ 17" Model



unit: mm

► TECHNICAL INFORMATION

System	Processor Chipset Memory	4th Generation Intel® Core™ i / Celeron® Processors (FCPGA946 Socket) Intel® HM87 / QM87 2x DDR3L 1333 / 1600 SO-DIMM up to 16 GByte	
Video	Graphics	Intel® HD Graphics 4600 (Core™ i CPU) Intel® HD Graphics (Celeron® CPU)	
	Display Size	15 inch	17 inch
	Aspect Ratio	4:3	5:4
	Backlight	LED	LED
	Resolution	1024 x 768 XGA	1280 x 1024 SXGA
	Brightness (cd/m², typ.)	350	350
	Contrast Ratio (typ.)	600:1	1000:1
	Color	16.2M	16.2M
	Viewing Angle (L/R/H/L)	45° / 45° / 20° / 45°	85° / 85° / 80° / 80°
	Touch	5-wire resistive	5-wire resistive
	Display Interface	1x HDMI (on rear, 2560 x 1600 @ 60 Hz) 1x DVI-D (on rear, 1920 x 1200 @ 60 Hz) 1x VGA (on rear, 1920 x 1200 @ 60 Hz)	
	Multiple Display	Triple	
Audio	Audio Codec Audio Interface	Realtek ALC662 2x Speaker-out (3 W) 1x Line-out (on rear) 1x Mic-in (on rear)	
Network Connection	Ethernet	2x GbE LAN (RJ45 on rear, 1x Intel® I217-LM, 1x Intel® I210-AT)	
Peripheral Connection	USB Serial Port Other I/Os	4x USB 3.0 (Type A on rear) 2x RS232/422/485 (DB9 on rear) 2x RS232 (DB9 on rear) 1x DIO (DB9 Female on rear)	
Storage & Expansion		1x 2.5" SATA HDD / SSD 2x mPCIe (1x full size, 1x half size) 1x SIM Cage (optional)	
Power	Connector Input Voltage Power Adapter	Lockable DC Jack (on rear) DC 12 V AC to DC, 100 V - 240 V	
Firmware	BIOS Watchdog H/W Monitor Real Time Clock iAMT	AMI uEFI BIOS w/ 128 Mb SPI Flash Programmable WDT to generate system reset event Voltages, Temperatures Chipset integrated RTC Depending on processor	
System Control & Monitoring	Button, Switch & Indicator	1x Power Switch (on rear) 1x Power LED (on front)	
Cooling	Cooling Method	1x CPU Smart Fan 1x System Smart Fan	
Software	OS Support	Windows 7, Windows 8, Linux	
Mechanical	Construction Dimensions (W x H x D) Weight Mounting	Metal Chassis + Aluminum Front Bezel 410 mm x 315 mm x 82.46 mm (16.14" x 12.40" x 3.25") 6.8 kg (14.99 lb) VESAs Mount, Panel Mount	442 mm x 354 mm x 93.44 mm (17.40" x 13.94" x 3.68") TBD
Environmental	Operation Temperature Storage Temperature Humidity	0 °C ~ 50 °C / 32 °F ~ 122 °F -20 °C ~ 70 °C / -4 °F ~ 158 °F 0 % ~ 95 %	
Certification	EMC & Safety Ingress Protection	CE, FCC Class A IP65 (front)	

► ORDERING INFORMATION

ARTICLE	DESCRIPTION
RuggedClient-HSWQ-150-R	15" 4:3 display
RuggedClient-HSWQ-170-R	17" 5:4 display

OPTIONAL ACCESSORIES	
VESA MOUNTING KIT	Hole pattern: 100 mm x 100 mm & 75 mm x 75 mm, dimension: 163 mm x 130 mm

► GLOBAL HEADQUARTERS

KONTRON S&T AG

Lise-Meitner-Str. 3-5
86156 Augsburg, Germany
Tel.: + 49 821 4086 0
Fax: + 49 821 4086 111
info@kontron.com
www.kontron.com