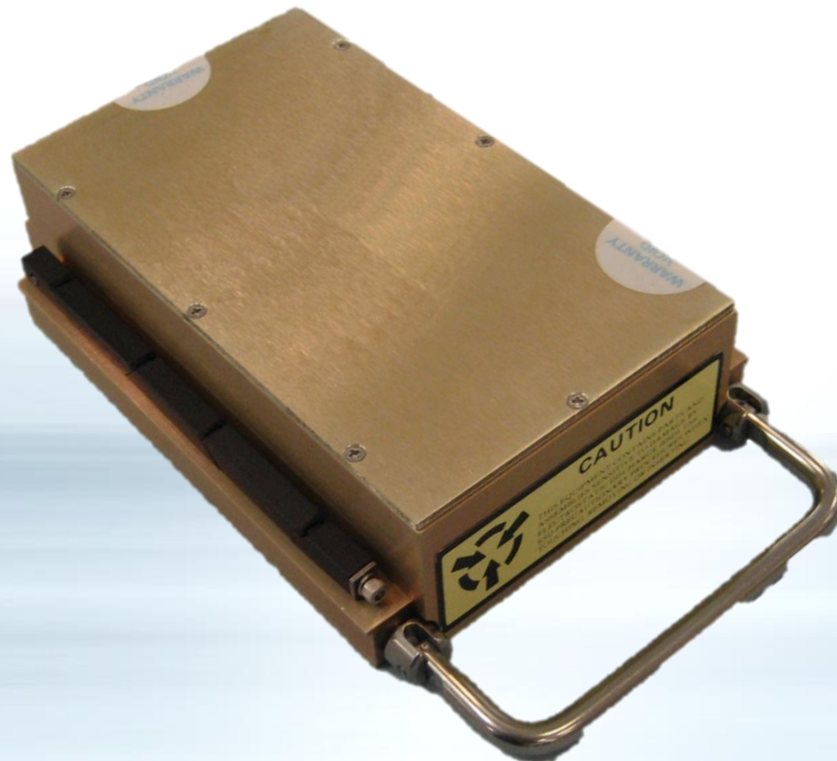


3U DC Rugged PSU

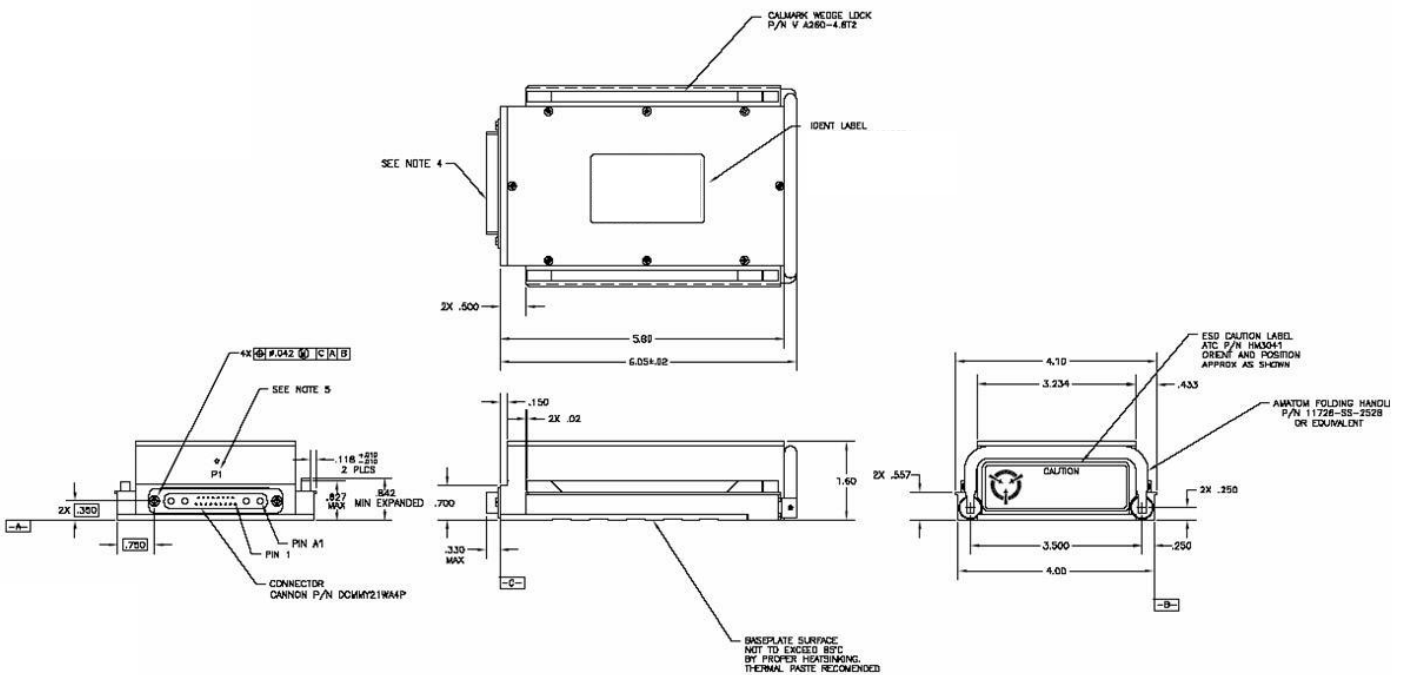


3U DC Rugged PSU

- ▶ 3U, Rugged 28VDC Input 200W PSU
- ▶ DC Output: +3.3V, +5V, +/- 12V
- ▶ MIL-STD-704A
- ▶ Conduction Cooled

TECHNICAL INFORMATION

Form Factor	3U PSU, Conduction Cooled
Input Voltage	+28VDC (22-29VDC)
Output Voltage	+3.3@ 10A, +5V @ 30A, +12V @ 1A, -12V @ 0.5A
Power	200W Max
Connector	DCMMY21WA4P
Temperature	-40°C to +85°C
Vibration	Per MIL-STD-810E, Method 514.4, Cat 5
Shock	Per MIL-STD-810E, Method 516.5, Procedure I
EMI/EMC	Per MIL-STD-461



ORDERING INFORMATION

ARTICLE	PART NO.	DESCRIPTION
3U PSU	505699-1	3U, Rugged 28VDC Input 200W PSU

CORPORATE OFFICES

EUROPE, MIDDLE EAST & AFRICA

Lise-Meitner-Str. 3-5
86156 Augsburg
Germany
Tel.: +49 821 4086 0
Fax: +49 821 4086 111
info@kontron.com

NORTH AMERICA

14118 Stowe Drive
Poway, CA 92064-7147
USA
Tel.: +1 888 294 4558
Fax: +1 858 677 0898
info@us.kontron.com

ASIA PACIFIC

1-2F, 10 Building, No. 8 Liangshuihe 2nd Street,
Economic & Technological Development Zone,
Beijing, 100176, P.R.China
Tel.: +86 10 63751188
Fax: +86 10 83682438
info@kontron.cn