

# KBox E-300 SERIES

## FANLESS & MINIATURE

---



### FANLESS MINI BOX PC WITH INTEL® APOLLO LAKE SOC PROCESSORS

- ▶ 2x HDMI for display output
- ▶ 2x GbE LAN for Ethernet
- ▶ 4x USB 3.0, 2x RS232/422/485 for peripheral connection
- ▶ 1x Micro-SD Cage for storage
- ▶ 1x mSATA / mPCIe, 1x M.2 Key A, 1x M.2 Key B for expansion

## KBox E-300 SERIES

### FANLESS MINI BOX PC WITH INTEL® APOLLO LAKE SOC PROCESSORS

KBox E-300 Series is a fanless box PC based on low-power Intel® Apollo Lake SoC Processors, ideal for entry-level computer or intelligent digital display. In addition, It has 2x HDMI, 2x GbE LAN, 4x USB 3.0 and 2x RS232/422/485 for display output, Ethernet and peripheral connection.

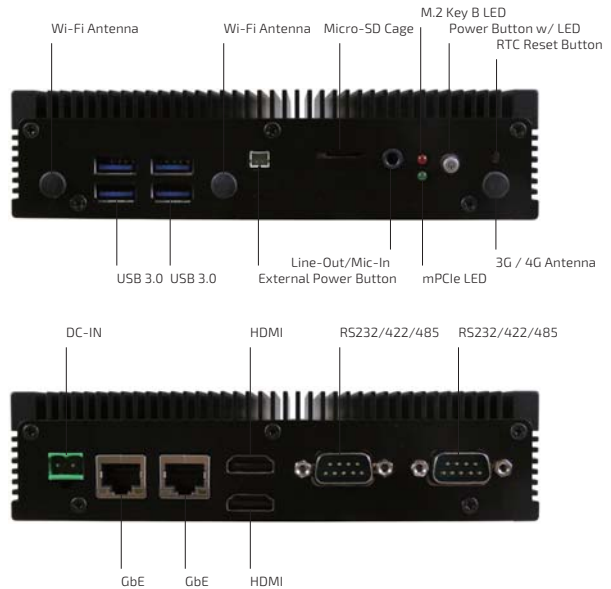
KBox E-300 Series provides high reliability rugged case not only for

great protection from EMI, cold and heat, but also integrated with passive cooling design for quiet fanless operation.

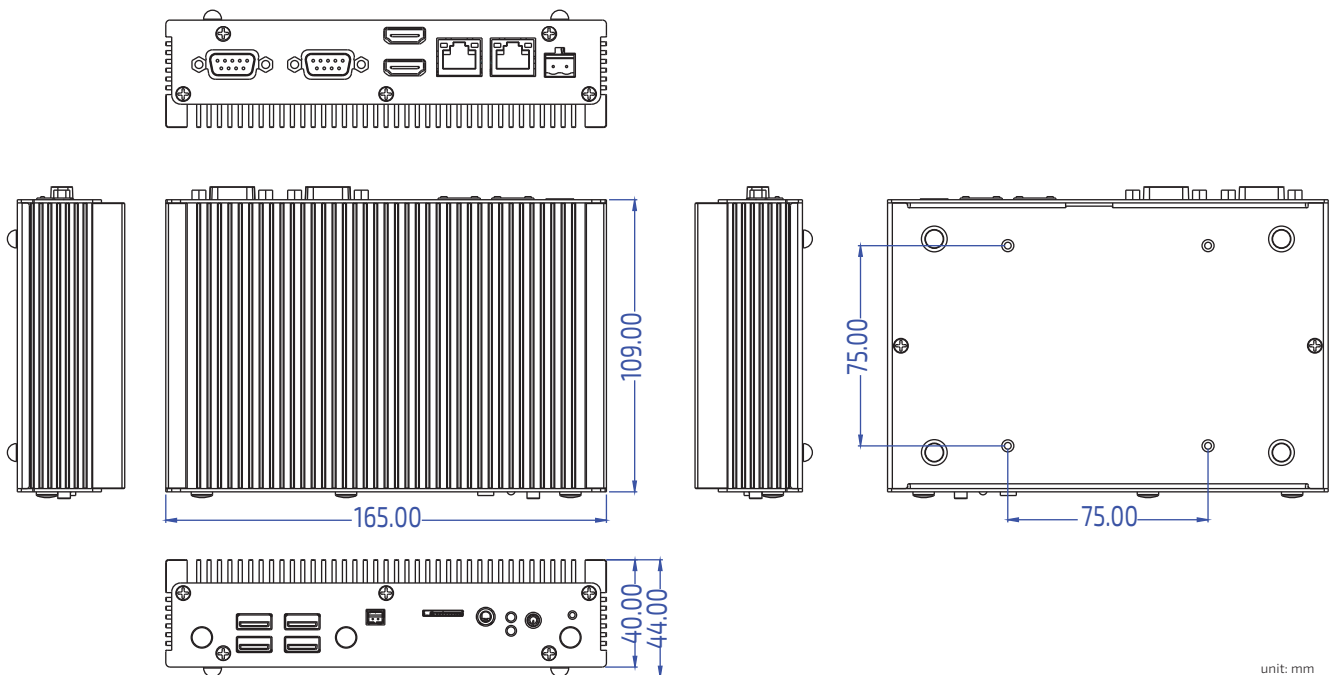
Finally, KBox E-300 Series reserves 1x mSATA / mPCIe, 1x M.2 Key A and 1x M.2 Key B, allowing users to expand wireless connection, storage and other functionality.

#### ▶ PRODUCT HIGHLIGHTS

- ▶ Intel® Apollo Lake SoC Processors
- ▶ 2x DDR3L 50-DIMM memory socket
- ▶ 2x HDMI for video output
- ▶ 2x GbE LAN for Ethernet
- ▶ 4x USB 3.0, 2x RS232/422/485 for peripherals
- ▶ 1x Micro-SD Cage for storage
- ▶ 1x mSATA / mPCIe, 1x M.2 Key A, 1x M.2 Key B for expansion
- ▶ Passive cooling design without fans and vents
- ▶ Mini size to fit into the palm



#### ▶ MECHANICAL DIMENSIONS



unit: mm

► TECHNICAL INFORMATION

<b>SYSTEM</b>	<b>PROCESSOR</b>	Intel® Celeron® N3350 (Dual Core, 2M Cache, up to 2.4 GHz, FCBGA1296, 6 W TDP) Intel® Pentium® N4200 (Quad Core, 2M Cache, up to 2.5 GHz, FCBGA1296, 6 W TDP) Intel® Atom® x5-E3930 (Dual Core, 2M Cache, up to 1.80 GHz, FCBGA1296, 6.5 W TDP) Intel® Atom® x5-E3940 (Quad Core, 2M Cache, up to 1.80 GHz, FCBGA1296, 9.5 W TDP) Intel® Atom® x7-E3950 (Quad Core, 2M Cache, up to 2.00 GHz, FCBGA1296, 12 W TDP) Intel® Celeron® J3455 (Quad Core, 2M Cache, up to 2.30 GHz, FCBGA1296, 10 W TDP) 2x DDR3L 1867 SO-DIMM up to 8 GByte non-ECC
	<b>MEMORY</b>	
<b>VIDEO</b>	<b>GRAPHICS</b>	Intel® HD Graphics 500 (Celeron® N3350 / J3455, Atom® x5-E3930 / -E3940) Intel® HD Graphics 505 (Pentium® N4200, Atom® x7-E3950)
	<b>DISPLAY INTERFACE</b>	2x HDMI 1.4b (on rear)
	<b>MULTIPLE DISPLAY</b>	Dual
<b>AUDIO</b>	<b>AUDIO CODEC</b>	Realtek ALC662
	<b>AUDIO INTERFACE</b>	1x Line-out / Mic-in (on front)
<b>NETWORK CONNECTION</b>	<b>ETHERNET</b>	2x GbE LAN (RJ45 on rear, Intel® I210)
<b>PERIPHERAL CONNECTION</b>	<b>USB</b>	4x USB 3.0 (Type A on front)
	<b>SERIAL PORT</b>	2x RS232/422/485 (DB9 on rear)
<b>STORAGE &amp; EXPANSION</b>		1x Micro-SD Cage (on front, w/o boot support) 1x mSATA / mPCIe (mixed with USB 2.0, SATA & PCIe, switchable via BIOS) 1x M.2 Key A (mixed with mPCIe) 1x M.2 Key B (mixed with USB 2.0 & SATA) 1x Micro SIM Card Cage (switch for M.2 Key B & mPCIe)
<b>POWER</b>	<b>CONNECTOR</b>	Phoenix Connector (on rear)
	<b>INPUT VOLTAGE</b>	DC 9 V ~ 24 V
<b>FIRMWARE</b>	<b>BIOS</b>	AMI uEFI BIOS w/ 128 Mb SPI Flash
	<b>WATCHDOG</b>	Programmable WDT to generate system reset event
	<b>H/W MONITOR</b>	Voltages, Temperatures
	<b>REAL TIME CLOCK</b>	SoC integrated RTC
	<b>TPM</b>	Optional (Infineon SLB9665 TPM 2.0)
<b>SYSTEM CONTROL &amp; MONITORING</b>	<b>BUTTON, SWITCH &amp; INDICATOR</b>	1x Power Button w/ LED (on front) 1x RTC Reset Button (on front) 1x External Power Button (on front) 1x M.2 Key B Activity LED (on front) 1x mPCIe Activity LED (on front)
<b>COOLING</b>	<b>COOLING METHOD</b>	Passive
<b>SOFTWARE</b>	<b>OS SUPPORT</b>	Windows 10, Linux
<b>MECHANICAL</b>	<b>CONSTRUCTION</b>	Aluminum Chassis
	<b>DIMENSIONS (W x D x H)</b>	165 mm x 109 mm x 40 mm / 6.50" x 4.29" x 1.57"
	<b>WEIGHT</b>	750 g / 1.65 lb
	<b>MOUNTING</b>	VESA Mount
<b>ENVIRONMENTAL</b>	<b>OPERATION TEMPERATURE</b>	0 °C ~ 50 °C / 32 °F ~ 122 °F
	<b>STORAGE TEMPERATURE</b>	-20 °C ~ 80 °C / -4 °F ~ 176 °F
	<b>HUMIDITY</b>	0 % ~ 90 %
<b>CERTIFICATION</b>	<b>EMC &amp; SAFETY</b>	CE, FCC Class A

## ► ORDERING INFORMATION

ARTICLE	DESCRIPTION
KBox E-300	Intel® Celeron® N3350
KBox E-301	Intel® Pentium® N4200
KBox E-302	Intel® Atom® x5-E3930
KBox E-303	Intel® Atom® x5-E3940
KBox E-304	Intel® Atom® x7-E3950
KBox E-305	Intel® Celeron® J3455
<b>OPTIONAL ACCESSORIES</b>	
VESA MOUNTING KIT	Hole pattern: 75 mm x 75 mm
POWER ADAPTER	Input: AC 100 V ~ 240 V, Output: DC 12 V, 40 W

## ► GLOBAL HEADQUARTERS

### KONTRON S&T AG

Lise-Meitner-Str. 3-5  
86156 Augsburg, Germany  
Tel.: + 49 821 4086 0  
Fax: + 49 821 4086 111  
info@kontron.com  
[www.kontron.com](http://www.kontron.com)