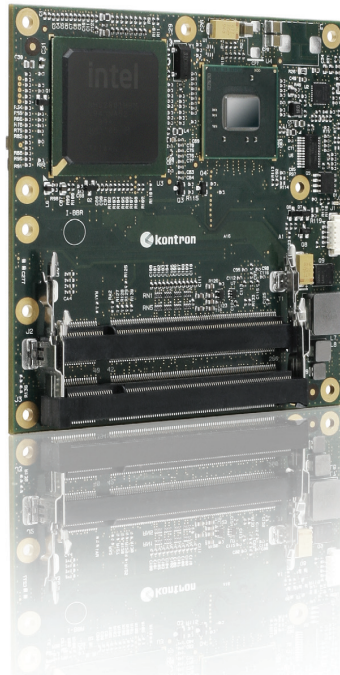


# » COMe-cPV2XT «

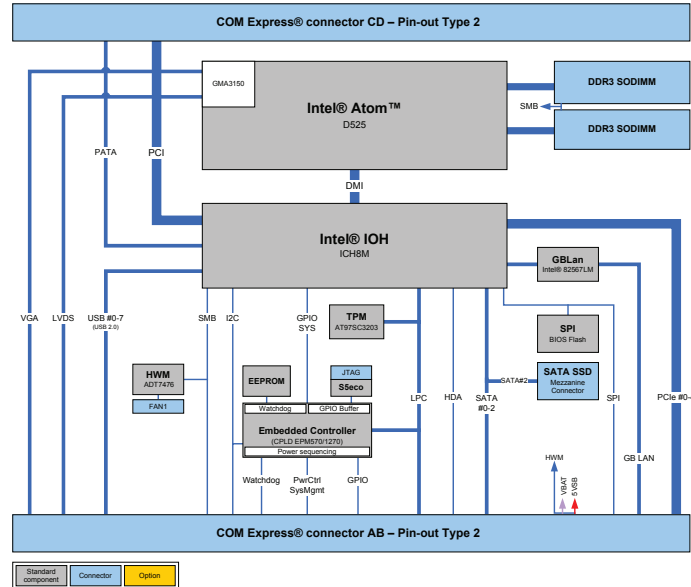


## COM Express® compact Type 2 with Intel® Atom™ D500 Series

- » Intel® Atom™ D525
- » Up to 2x2GB DDR3 SODIMM dual channel
- » Rated for Industrial Temperature Grade

## Technical Information

<b>Compliance</b>	COM Express® compact, Pin-out Type 2
<b>Dimensions (H x W x D)</b>	95 x 95 mm
<b>CPU</b>	Intel® Atom™ D525
<b>Chipset</b>	Intel® ICH8M (82801HBM)
<b>Main Memory</b>	2x DDR3-800 SO-DIMM up to 2x2GB
<b>Graphics Controller</b>	Intel® GMA3150
<b>Ethernet Controller</b>	Intel® 82567LM
<b>Ethernet</b>	10/100/1000 Mbit Ethernet
<b>Hard Disk</b>	3x SATA 3Gb/s, 1x PATA
<b>Flash Onboard</b>	SATA SSD Mezzanine Connector
<b>PCI Express® / PCI support</b>	5x PCIe x1, 1x PCI
<b>Panel signal</b>	DDI1: - DDI2: - DDI3: - VGA: Yes LVDS: Single Channel 18bit
<b>USB</b>	8x USB 2.0
<b>Serial</b>	-
<b>Audio</b>	Intel® High Definition Audio
<b>Common Features</b>	SPI, LPC, SMB, I <sup>2</sup> C, Watchdog, RTC, MARS
<b>BIOS</b>	AMI CORE8
<b>Humidity</b>	93% relative Humidity at 40°C, non-condensing (according to IEC 60068-2-78)
<b>Options</b>	-
<b>Power Management</b>	ACPI 1.0b/3.0
<b>Power Supply</b>	5V - 18V Wide Range, Single Supply Power
<b>Special Features</b>	-
<b>Operating System</b>	Windows® 8, Windows® 7, WES7, WEC7, Windows® XP, XPe, Windows® CE, Linux
<b>Temperature</b>	Commercial temperature: 0°C to +60°C operating, -30°C to +85°C non-operating Industrial temperature: -40°C to +85°C operating, -40°C to +85°C non-operating



## CORPORATE OFFICES

## Europe, Middle East &amp; Africa

Lise-Meitner-Str. 3-5  
86156 Augsburg  
Germany

Tel.: +49 (0) 821 4086-0  
Fax: +49 (0) 821 4086 111  
sales@kontron.com

## North America

14118 Stowe Drive  
Poway, CA 92064-7147  
USA

Tel.: +1 888 294 4558  
Fax: +1 858 677 0898  
info@us.kontron.com

## Asia Pacific

17 Building, Block #1, ABP.  
188 Southern West 4th Ring Road  
Beijing 100070, P.R.China

Tel.: +86 10 63751188  
Fax: +86 10 83682438  
info@kontron.cn