

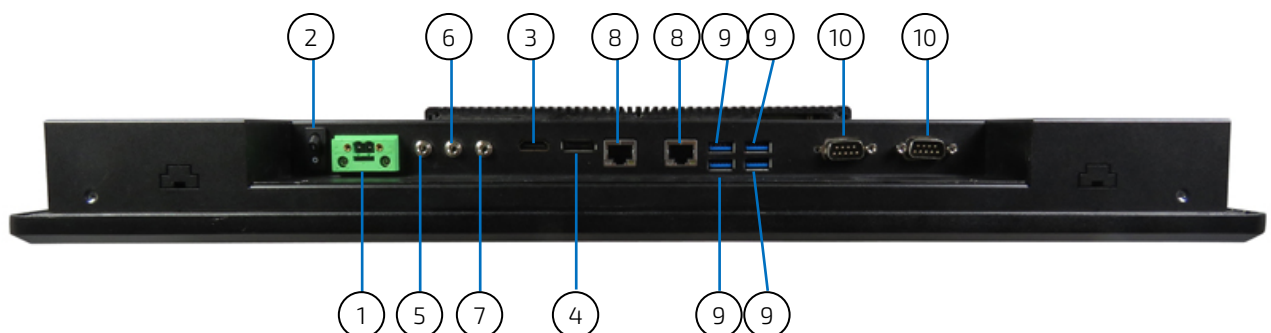
## ▶ Kontron SmartClient-SLU - QUICK INSTALLATION GUIDE

Thank you for purchasing the Kontron SmartClient-SLU industrial panel PC. This document provides information to allow you to quickly install this product.

### Packing Checklist

1. Take the SmartClient-SLU out of the packing box and check if the unit is properly secure in the plastic bag.
2. Check the contents of the carton box: (\*: optional)
  - ▶ 1x SmartClient-SLU
  - ▶ 1x Power Adapter
  - ▶ 1x Power Cord
  - ▶ Mounting Clamps with Screws
  - ▶ Memory module(s)\* (It may be pre-installed in the system depending on ordered configuration.)
  - ▶ Internal 2.5" HDD / SSD\* (It may be pre-installed in the system depending on ordered configuration.)
  - ▶ mPCIe card\* (It may be pre-installed in the system depending on ordered configuration.)
  - ▶ M.2 Key B card\* (It may be pre-installed in the system depending on ordered configuration.)
  - ▶ Antenna(s)\*
  - ▶ VESA Mounting Kit\*

### Rear I/O Panel



- 1 2-pin Phoenix DC-In Power Connector
- 2 Power Switch
- 3 HDMI 2.0
- 4 DP

- 5 Line-In
- 6 Line-Out
- 7 Mic-In
- 8 GbE
- 9 USB 3.0
- 10 RS232/422/485