

KBox B-201-RPL



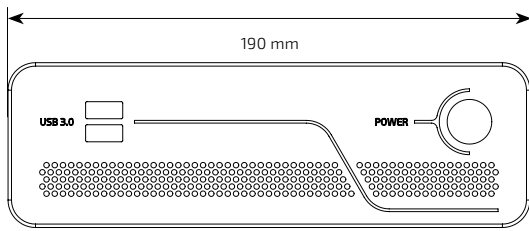
Industrial Computer Platform for Desktop & Control Room Applications

- High performance: 14th/13th Gen Intel® Core™ i9/i7/i5/i3
- Small form factor based on mITX motherboard
- Whisper quiet operation <34 dB(A)
- Various mounting options
- Several storage options incl. RAID

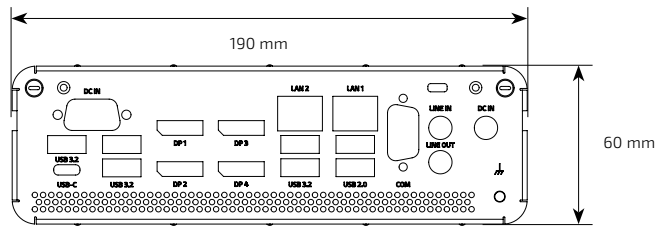
PROCESSORS	CPU	14th Gen Intel® Core™ i3-14100T/i5-14500T/i7-14700T/i9-14900T or 13th Gen Intel® Core™ i3-13100E/i5-13500E/i7-13700E/i9-13900E or Pentium® G7400E 24-Core (8x P-Core + 16x E-Core) P-Core: 1.8 GHz/5.2 GHz (Burst) E-Core: 1.3 GHz Intel® Q670E AMI® Aptio 5.x
	MAX. NUMBER OF CORES MAX. SPEED	
	SYSTEM CHIPSET BIOS	
MEMORY	TECHNOLOGY MAX. CAPACITY SOCKET	DDR5-4800/5600* MHz Up to 64 GByte 2x SODIMM
GRAPHICS	GRAPHICS CORE MAX. RESOLUTION	Intel® Core™ i5/i7/i9: Intel® UHD Graphics 770 Intel® Core™ i3: Intel® UHD Graphics 730 7680 x 4320 @ 60Hz
FRONT INTERFACES	USB BUTTON / LED	2x USB 3.2 Gen1 Power Button with power LED
REAR INTERFACES	GRAPHICS PORTS USB ETHERNET SERIAL PORTS AUDIO	4x DisplayPort 3x USB 3.2 Gen 2, 1x USB 3.2 Gen 2 (Type-C), 2x USB 3.2 Gen1, 2x USB 2.0 1x 2.5GbE: Intel® i226LM (Wake-on-LAN) 1x GbE: Intel® i219LM (Wake-on-LAN) 1x COM port RS232 1x Line in, 1x Line out
STORAGE	M.2 PCIE/NVME DRIVE BAY	1x M.2 Key-M 2242 socket 2x M.2 SSD (RAID) or 1x 2.5" SSD SATA III / SATA-600
EXPANSION SLOTS	M.2 WIRELESS	1x M.2 Key-E 2230 socket
SOFTWARE SUPPORT	OPERATING SYSTEM	Windows® 10 IoT LTSC 2021, Linux
POWER	INPUT VOLTAGE RANGE	90 to 264 VAC (150 W, external power supply) 24 VDC (120 W, optional)
MECHANICAL	CONSTRUCTION MOUNTING DIMENSIONS (W x H x D) WEIGHT	Steel (Chassis), Aluminum (Front Panel) Desktop, Wallmount, VESA, Vertical Stand 190 x 60 x 190 mm (7.48" x 2.36" x 7.48") approx. 2.0 kg (4.4 lbs)
ENVIRONMENT	COOLING OPERATING TEMPERATURE RELATIVE HUMIDITY	With Fan 0 °C to +45 °C (32 °F to 113 °F) 93 % RH at 40 °C, non-condensing
APPROVALS	CERTIFICATIONS	UL 62386 (TÜV)/CB/CE/FCC/UKCA

P-Core: Performance-Core
E-Core: Efficient-Core

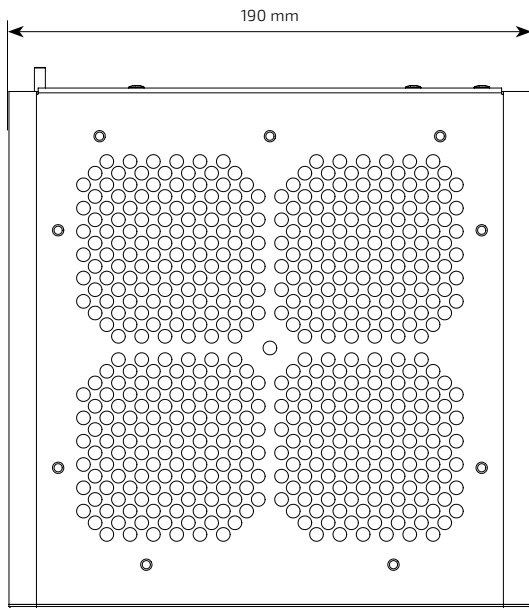
* Support for DDR5-5600 pending. Requires Intel® Core™ i7 or i9 processor.



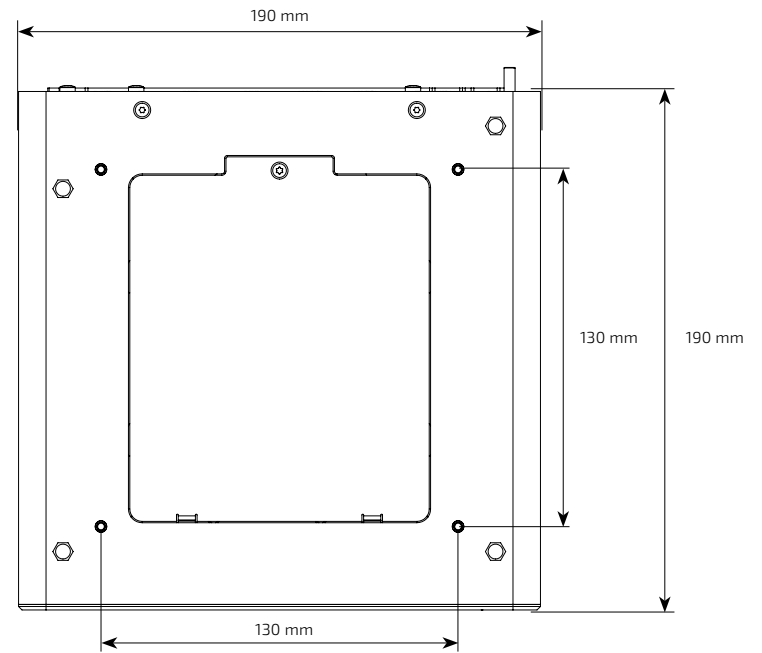
// Front Panel



// Rear Panel



// Top Cover



// Bottom Side

AC POWER SUPPLY	1064-8948	90 to 264 VAC, 150 W PSU
POWER CORD EU	0-0064-2173	Euro (Type A), 2.5 m
POWER CORD UK	0-0064-4173	UK (Type C), 2.5 m
POWER CORD US	0-0064-4317	US, 2 m
WALL MOUNT KIT	1065-3430	Wall mount kit
VERTICAL STAND KIT	1065-3431	Vertical stand kit
VESA KIT	1069-7289	Vesa Kit

Global Headquarters

Kontron Europe GmbH

Gutenbergstraße 2
85737 Ismaning, Germany
Tel.: + 49 821 4086-0
info@kontron.com

www.kontron.com

