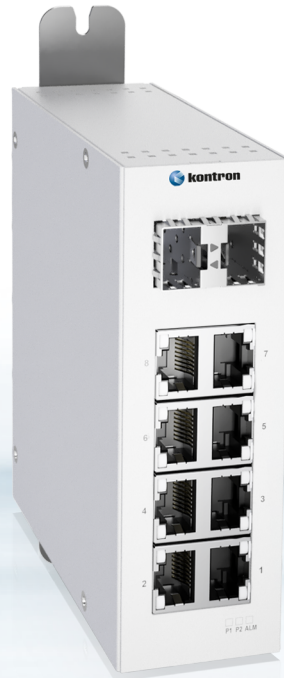


KSWITCH D2 UG SERIES



Kontron Gigabit Ethernet KSwitch D2 UG Series

- ▶ Up to 10-port DIN-Rail Industrial Ethernet Switch
- ▶ Gigabit Ethernet, unmanaged Layer 2, copper & fiber ports
- ▶ Wide range, dual input DC power supply, relay output
- ▶ Cost effective and modular
- ▶ Industrial grade, highly reliable, long-term available

POSSIBILITIES START HERE

KSWITCH D2 UG SWITCH SERIES

The Kontron KSwitch D2 UG series offers cost-effective unmanaged Industrial Ethernet Switches with up to 10 Gigabit Ethernet ports providing easy to use plug-n-play connectivity. Copper and fiber optics ports are available. The Kontron KSwitch D2 UG series

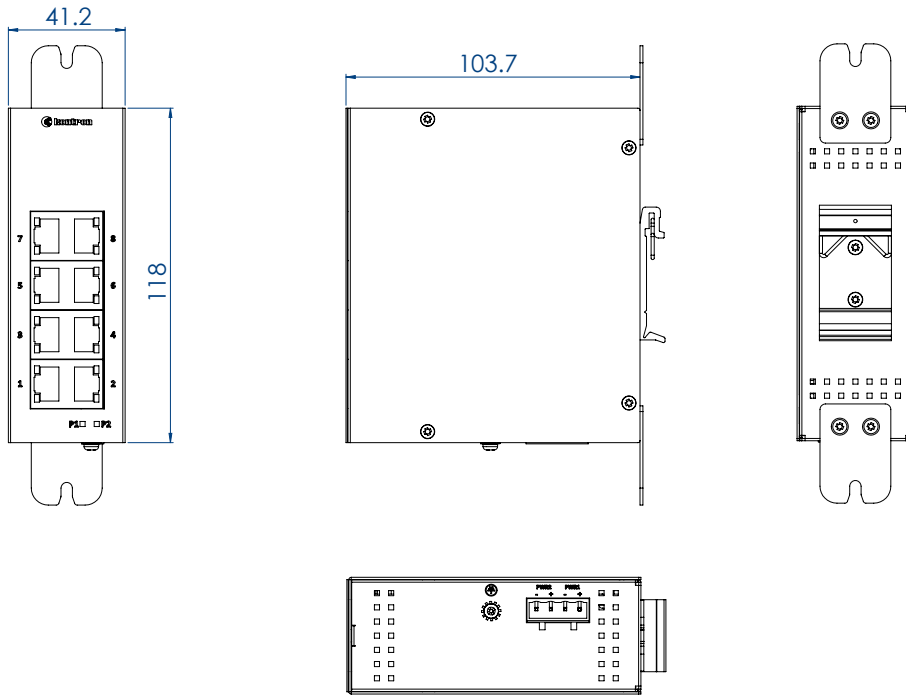
can easily be integrated in factory production lines, embedded into a machine control system or applied for any simple network expansion. It is the perfect solution for general applications and edge-site installation.

▶ TECHNICAL INFORMATION

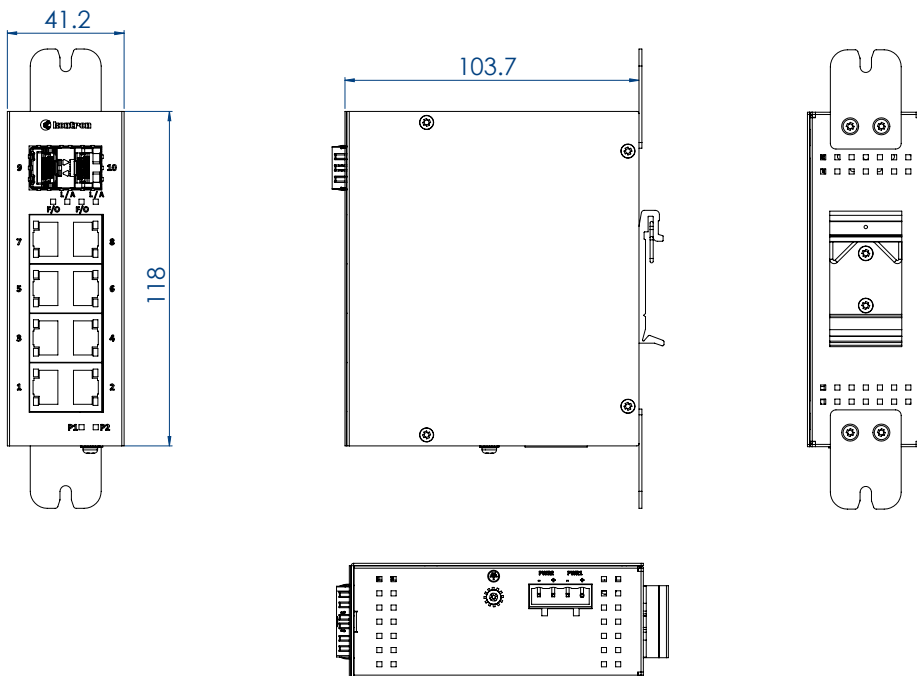
		KSWITCH D2 UG 8-PORT	KSWITCH D2 UG 10-PORT
NETWORK	OPERATING MODE MAC ADDRESSES PACKET BUFFER JUMBO FRAME BACKPLANE / SWITCHING FABRIC	Store and forward, L2 wire-speed/non-blocking switching engine 8K 4 Mbits 9K Up to 16 Gbps	
RJ45 COPPER PORTS	SPEED MDI/MDIX AUTO-CROSSOVER AUTO-NEGOTIATION/DUPLEX	Up to 10 10/100/1000 Mbps ports Support straight or cross wired cables 10/100/1000 Mbps speed auto-negotiation, full and half duplex	
FIBER PORTS	PORT TYPES SUPPORTED FIBER PORT CONNECTOR OPTIMAL FIBER CABLE	Up to 2 100/1000 Base SFP slot LC/RJ45 connector for fiber ports Typical 50 or 62.5/125 µm for multimode (mm) Typical 8 or 9/125 µm for single mode (sm)	
PROTOCOL & STANDARDS		IEEE 802.3, IEEE 802.3x, flow control, back pressure, ICMP, TCP/UDP	
POWER	POWER INPUT INPUT VOLTAGE RANGE REVERSE POWER PROTECTION POWER CONSUMPTION	Redundant power input, DC input, 4 pin terminal block 12-58 V DC yes typ. 8 W	typ. 9 W
INDICATORS	STATUS INDICATION PORT INDICATION	Power input status Link & speed	
ENVIRONMENTAL & COMPLIANCE	OPERATING TEMPERATURE STORAGE TEMPERATURE HUMIDITY EMC SAFETY RoHS & WEEE MTBF	-40 °C - 75 °C (cold startup at -40 °C) -40 °C - 85 °C 5 - 95 % (non-condensing) EN 61000-6-3 Class B, EN 61000-6-4, EN 61000-6-2, EN 55035 UL/ IEC/ EN 62368-1 RoHS (Pb free), REACH and WEEE compliant > 200000 hours	
MECHANICAL	PROTECTION DIMENSION (HxWxD) WEIGHT INSTALLATION	IP30 118x 41.2x103.7 mm 365 g DIN-Rail mounting, wall mounting	385 g

► MECHANICAL DRAWING

8-port:



10-port:



▶ ORDERING INFORMATION

ARTICLE	PART NO.	DESCRIPTION	10/100/1000 T(X)	100/1000 FX
STANDARD CONFIGURATIONS				
KSWITCH D2UG 6G-2GS	1067-5240	Industrial 8-port Unmanaged Ethernet Switch, -40 °C to 75 °C of operating temperature, Dual DC power input	6	2
KSWITCH D2UG 8G	1067-5241	Industrial 8-port Unmanaged Ethernet Switch, -40 °C to 75 °C of operating temperature, Dual DC power input	8	
KSWITCH D2UG 8G-2GS	1067-5239	Industrial 10-port Unmanaged Ethernet Switch, -40 °C to 75 °C of operating temperature, Dual DC power input	8	2
PACKAGE CONTENTS		KSwitch D2 UG Switch, terminal block, DIN-Rail mounting kit, safety instruction sheet		
ACCESSORIES				
SFP MODULES				
RK2U, RK4U		19" Rack Mount Kit 4U & 2U		
230 V AC TO DC POWER ADAPTER				
WK25		Wall Mount Kit		

▶ GLOBAL HEADQUARTERS

Kontron Europe GmbH

Gutenbergstraße 2
85737 Ismaning, Germany
Tel.: +49 821 4086-0
Fax: +49 821 4086-111
info@kontron.com

www.kontron.com