

# FlatView HYG

---



## For Environments with High Hygiene and Extended Sealing Requirements

- ▶ Designed for high hygiene standards following EHEDG guidelines
- ▶ Stainless steel housing with IP69K protection
- ▶ Flexible mounting with support arm or VESA 100

POSSIBILITIES START HERE



**kontron**  
S&T Group

## FlatView HYG

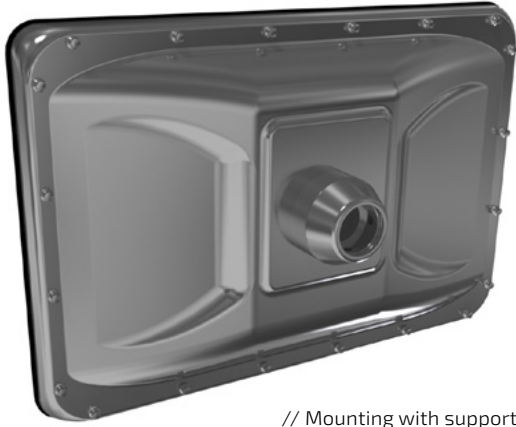
The new FlatView HYG is designed for use in applications with highest requirements in hygiene, e.g. food processing and pharmaceutical industry following EHEDG guidelines. With a completely sealed stainless steel housing and IP69K protection the FlatView HYG is highly resistant to detergents and prepared for easy cleaning and wash down. The 21.5" industrial monitor offers PCAP touch or protection glass with anti-glare surface for best readability. Display sizes from 15.6" up to 23.8" with 1366x768 and 1920x1080 FullHD resolution in 16:9 or 16:10 wide format are also available.

Mounting options with support arm or VESA and operation in landscape or portrait mode guarantee utmost flexibility. Integrated WiFi and RFID provide seamless connectivity and access control.

The design of the FlatView HYG models can be customized to meet OEM requirements, for example by freely choosing the color of the front or adaptation of the wiring for individual needs.

### ► TECHNICAL INFORMATION

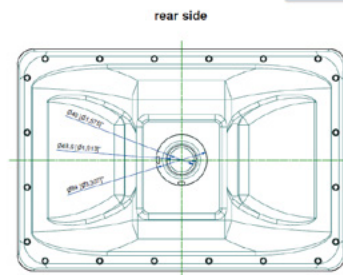
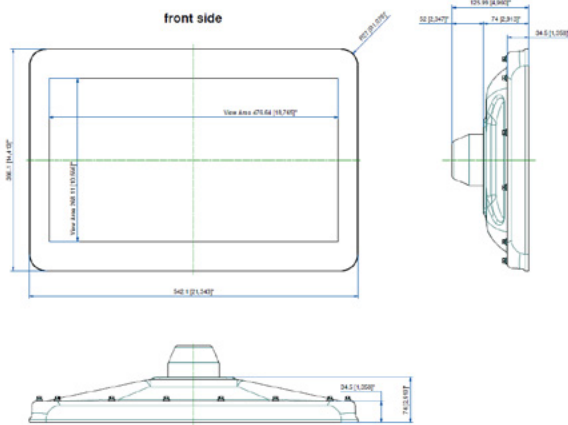
DISPLAY SIZE	21.5" landscape or portrait mode
RESOLUTION	1920x1080 FullHD
BRIGHTNESS	300 cd/m <sup>2</sup>
VIEWING ANGLE	H178°/V178°
DIMENSIONS	542.1 mm x 366.1 mm x 74 mm (excluding connector & mounting bracket)
WEIGHT	~10,5 kg
LED BACKLIGHT	Life time ≥ 50.000 h
FRONT OPTIONS	Projected capacitive touch (PCAP)/safety glass/PMMA
MOUNTING	support arm on 48mm tube or VESA 100 with M12 connector
STANDARD INTERFACES	Support arm: DVI-I, USB, PWR (~2,8m cable) VESA 100: HDMI, USB, PWR
POWER SUPPLY	12-30 VDC
EMC	EN55022 class B
CERTIFICATIONS	CE, UL
ALTITUDE	Up to 3.000 m (10.000 ft)
SHOCK ACC. TO EN 60068-2-27	15 G 11 ms duration (half sine)
VIBRATION ACC. TO EN 60068-2-6	10-500 Hz: 1G/3 axis
OPERATING TEMPERATURE	0 °C to +50 °C
PROTECTION CLASS	support arm: IP69K VESA: IP67
HUMIDITY	10 %-90 % @ 39 °C, non condensing
MTBF	> 50.000 h
VERIFIED OS	Windows 7, Windows 10, Linux
RoHS COMPLIANT	yes
COOLING	passive cooling, fanless
OPTIONS (FURTHER OPTIONS ON REQUEST)	high brightness display other display sizes and resolutions DP, DVI, HDMI RFID, WiFi



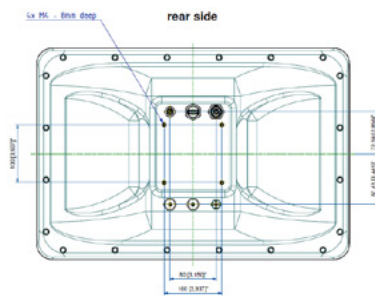
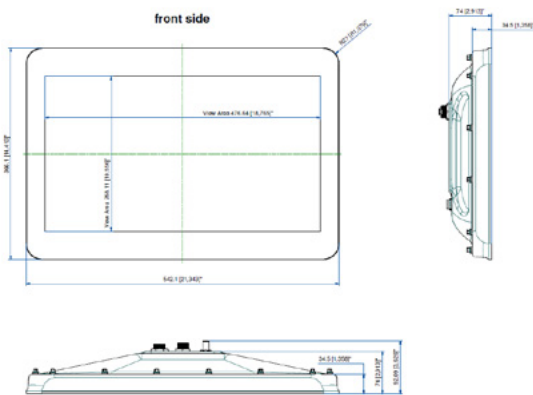
// Mounting with support arm on 48 mm tube



// Mounting with VESA 100 with M12 connector



// Dimensions support arm



// Dimensions VESA mounting

► Global Headquarters

Kontron S&T AG

Lise-Meitner-Str. 3-5  
 86156 Augsburg, Germany  
 Tel.: + 49 821 4086 0  
 Fax: + 49 821 4086 111  
 info@kontron.com  
 www.kontron.com