

# EvoTRAC-S1901 PLATFORM

---



## Intelligent High-Performance Compute Platform Built for Heavy-Duty Operations

- ▶ Ruggedized & modular platform for in-vehicle deployment with built-in AI
- ▶ COM Express® Intel® High Performance Module
- ▶ Expansion slots for multiple GPUs, frame grabbers, video modules and more
- ▶ Multiple I/O, high speed network with PTP and high capacity storage option
- ▶ Wireless connectivity options for cellular and Wi-Fi

POSSIBILITIES START HERE



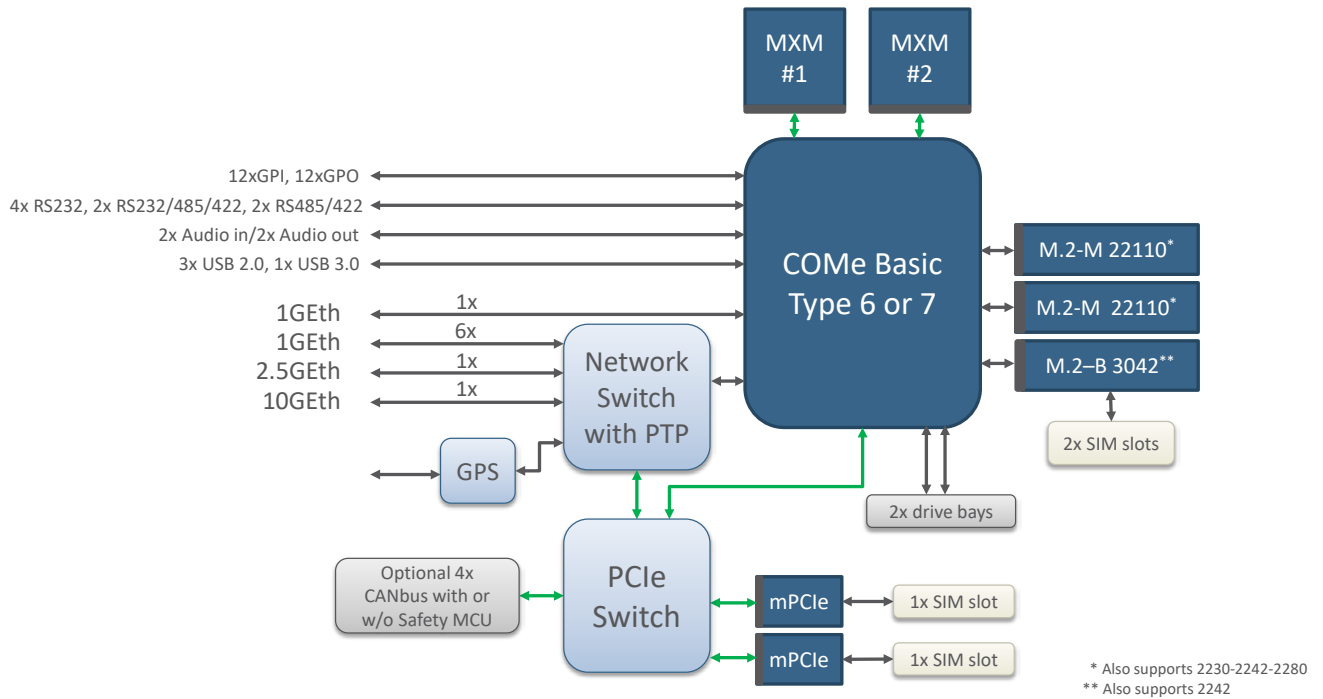
## ▶ TECHNICAL INFORMATION

|                           |                                                                                                                                      |
|---------------------------|--------------------------------------------------------------------------------------------------------------------------------------|
| <b>CPU</b>                | COMe-bBD7R E2 Intel® Xeon® D-1539, 8 Cores, 1.6 GHz                                                                                  |
| <b>OPTIONAL CPU</b>       | COMe-bBD7R E2 Intel® Xeon® D-1559, 12 Cores, 1.5 GHz                                                                                 |
| <b>POWER</b>              | 9-36 Vdc 150 W<br>Optional: 9-36 Vdc 250 W, 24-36 Vdc 500 W                                                                          |
| <b>MEMORY</b>             | Up to 64 GByte of DDR4 (2x DDR4 DIMM with ECC )                                                                                      |
| <b>COOLING*</b>           | Fanless<br>Optional: Fan cooled or liquid cooled                                                                                     |
| <b>TEMPERATURE</b>        | -30 °C to +55 °C<br>Extended temperature*: -40 °C + 71 °C                                                                            |
| <b>INGRESS PROTECTION</b> | IP67                                                                                                                                 |
| <b>ETHERNET PORTS</b>     | 7x 10/100/1000 Mbit/s<br>1x 1000/2500 Mbit/s<br>1x 10 GbE<br>PTP/1588 with 1PPS, GPS<br>IEEE 802.3-2012 Power-over-Ethernet (Option) |
| <b>STORAGE</b>            | Removable 2.5" drives<br>Optional: 2x M.2 2230/2280/22110-M                                                                          |
| <b>EXPANSION</b>          | 1x M.2 3042-B (LTE, or others)<br>2x mPCIe full length (WiFi/Bluetooth, Frame grabber, or others)                                    |
| <b>OPTIONAL MXM GPU**</b> | 2x MXM port (Type A & B)<br>T1000, 2.2 Tflops (FP32)<br>RTX3000, 5.3 Tflops (FP32)<br>Others: Project-Based                          |
| <b>USB</b>                | 1x USB (3.0)<br>3x USB (2.0)                                                                                                         |
| <b>SERIAL</b>             | 4x RS232<br>2x RS485 or RS232<br>2x RS485/422<br>4x CAN-FD (Optional)                                                                |
| <b>AUDIO</b>              | 2x balanced Audio In<br>2x balanced Audio Out                                                                                        |
| <b>DISCRETES</b>          | 12x digital Input<br>12x digital Output                                                                                              |
| <b>OPERATING SYSTEM</b>   | Linux Ubuntu 18.04 LTS, 64-Bit (installed)                                                                                           |
| <b>SPECIAL FEATURES</b>   | 9-axis IMU<br>4x CANBus 2.0 FD (Option)<br>Safety Processor Aurix TC387 MCU with 4x CANbus 2.0 FD (Option)                           |

\* Depending on processor and payload configuration

\*\* Operating temperatures may vary based on the selected GPU(s), power supply unit and/or cooling options.

► BLOCK DIAGRAM



► GLOBAL HEADQUARTERS

Kontron Europe GmbH

Gutenbergstraße 2  
 85737 Ismaning, Germany  
 Tel.: +49 821 4086-0  
 Fax: +49 821 4086-111  
 info@kontron.com

[www.kontron.com](http://www.kontron.com)