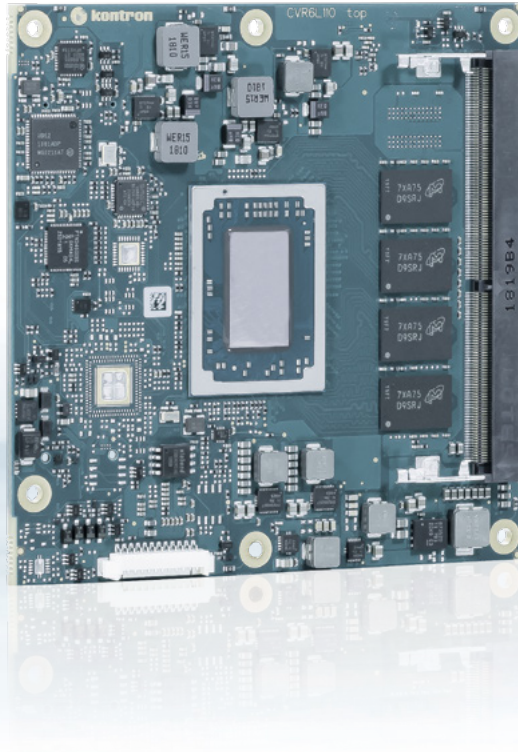


COMe-CVR6 (E2)



COM EXPRESS® Compact Type 6 with AMD Ryzen™ Embedded V/R1000 Series APUs

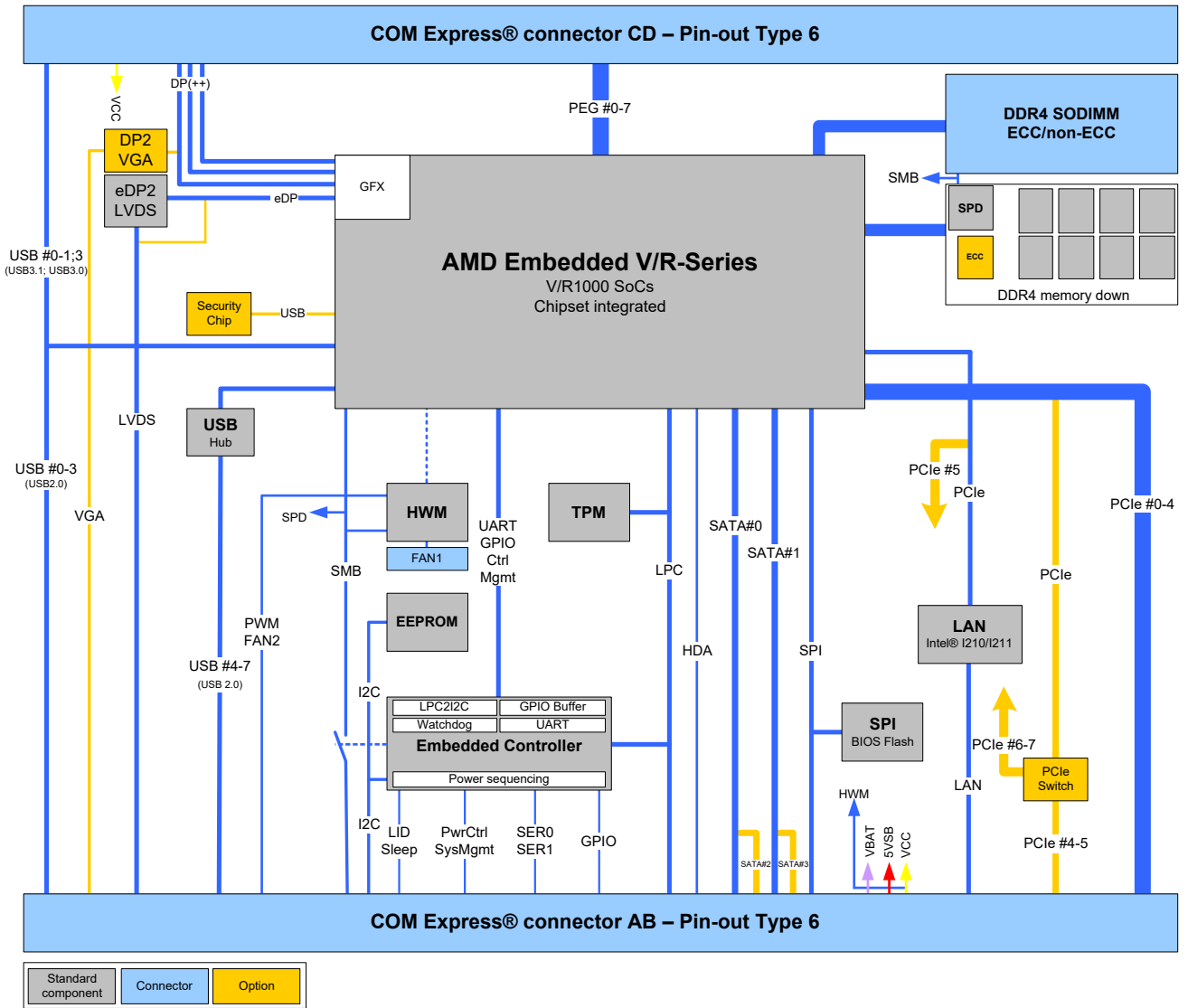
- ▶ Leading graphics performance
- ▶ Up to 4 independent display support
- ▶ Up to 48 GByte DDR4 memory (16 GByte DDR4 memory down)
- ▶ Industrial grade versions
- ▶ Support of Kontron's Embedded Security Solution (Approtect)

POSSIBILITIES START HERE

► TECHNICAL INFORMATION

COMPLIANCE	COM Express® compact Pin-out Type 6
DIMENSIONS (H x W)	95 x 95 mm
CPU	AMD V1807B, 4x 3.35 GHz (3.75 GHz), 35-54W AMD V1756B, 4x 3.25 GHz (3.6 GHz), 35-54W AMD V1605B, 4x 2.0 GHz (3.6 GHz), 12-25W AMD V1202B, 2x 2.5 GHz (3.4 GHz), 12-25W AMD V1404I, 4x 2.0 GHz (3.6 GHz), 12-25W AMD R1606G, 2x 2.6 GHz (3.5 GHz), 12-25W AMD R1505G, 2x 2.4 GHz (3.3 GHz), 12-25W
CHIPSET	Integrated SoC
MAIN MEMORY	1x DDR4 SO-DIMM up to 32 GByte, 2nd channel DDR4 memory down up to 16 GByte (non-ECC/ECC)
GRAPHICS CONTROLLER	Integrated AMD Vega Graphics (GFX9)
ETHERNET CONTROLLER	Intel® I210/I211
ETHERNET	10/100/1000 MBit Ethernet
HARD DISK	2x SATA 6Gb/s
FLASH ONBOARD	-
PCI EXPRESS® / PCI SUPPORT	Up to 5x PCIe 3.0 (On request: 6x without Ethernet) On request: Up to 8x PCIe x1 with 4x PCIe 3.0 + 4x PCIe 2.0 Up to 1x PEG x8
PANEL SIGNAL	DDI1: DP++, DDI2: DP++, DDI3: DP (R-Series: DDI1 & DDI2 only), VGA: -, LVDS: Dual Channel 18/24 bit
USB	3x USB 3.x (incl. USB 2.0) + 5x USB 2.0
SERIAL	2x serial interface (RX/TX only)
AUDIO	High Definition Audio interface
COMMON FEATURES	SPI, LPC, SMB, Fast I ² C, Staged Watchdog, RTC
BIOS	AMI Aptio V
ON REQUEST	eDP instead of LVDS, VGA, 1x PCIe x1 additional w/o onboard LAN, PCIe Switch, Security Chip
HUMIDITY	93 % relative Humidity at 40 °C, non-condensing (according to IEC 60068-2-78)
POWER MANAGEMENT	ACPI 6.0
POWER SUPPLY	8.5 V – 20 V Wide Range, Single Supply Power
SPECIAL FEATURES	POSCAP capacitors, Trusted Platform Module TPM 2.0
OPERATING SYSTEM	Windows® 10, Linux
TEMPERATURE	COMe-cVR6 - commercial temperature: 0 °C to +60 °C operating, -30 °C to +85 °C non-operating COMe-cVR6 E2 - industrial temperature: -40 °C to +85 °C operating, -40 °C to +85 °C non-operating
SUPPORTED MODULES	COMe-cVR6 xxxxxxx / COMe-cVR6 E2 xxxxxxx

▶ BLOCK DIAGRAM



▶ GLOBAL HEADQUARTERS

KONTRON S&T AG

Lise-Meitner-Str. 3-5
 86156 Augsburg, Germany
 Tel.: + 49 821 4086 0
 Fax: + 49 821 4086 111
 info@kontron.com
 www.kontron.com