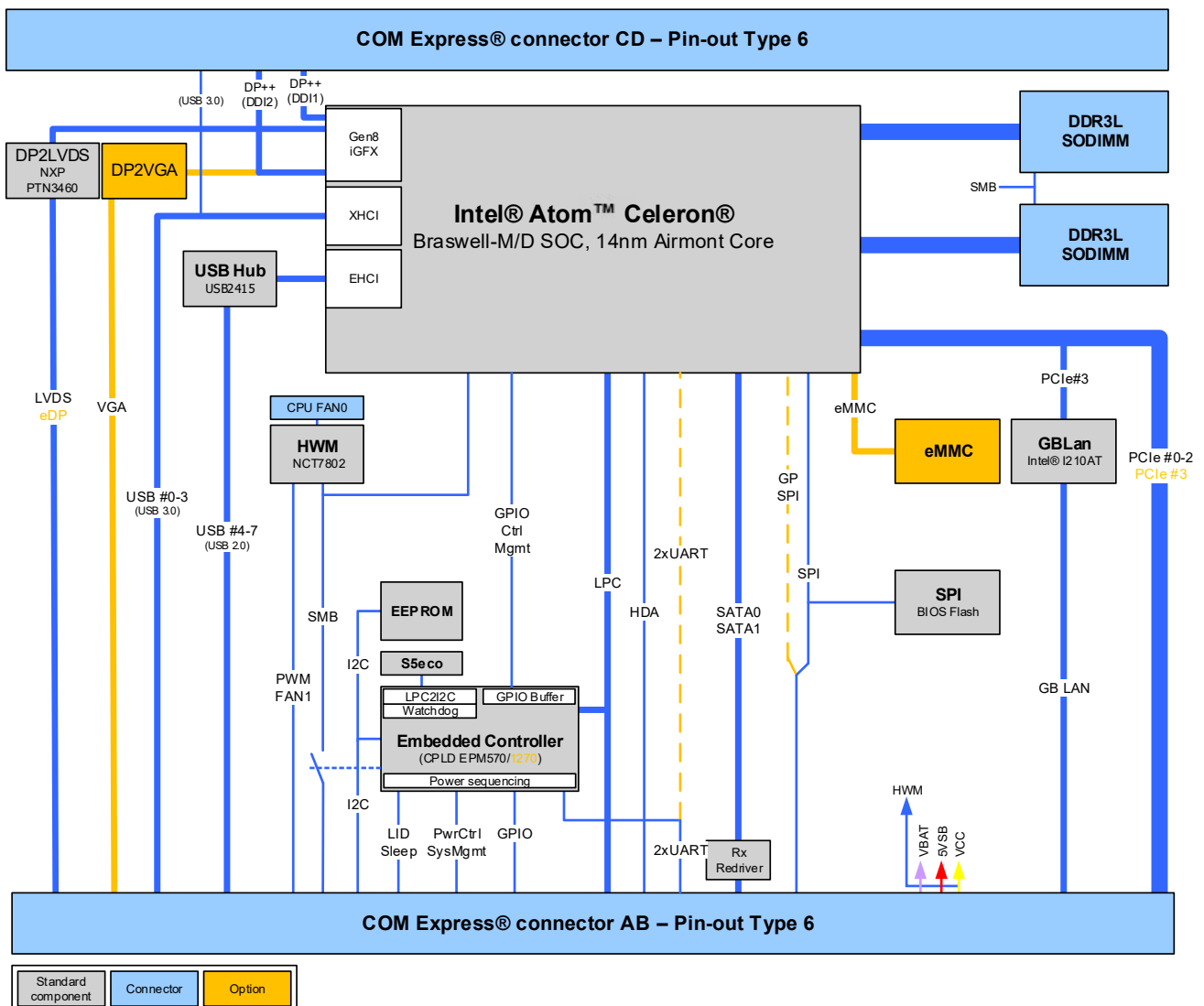


COM Express® Compact Type 6 with Intel Atom®/Pentium®/Celeron® Processor N3000 Series

- ▶ COM Express® compact pin-out type 6 Computer-on-Module with Intel Atom® x5-E8000/Pentium®/Celeron® Processor N3000 series
- ▶ Up to 8 GByte DDR3L 1600 Memory (2 SODIMM Socket)
- ▶ High speed Interface 2x SATA3 4x USB 3.0/2.0, +4x USB 2.0

COMPLIANCE	COM Express® Compact Pin-out Type 6
DIMENSIONS (H X W X D)	95 mm x 95 mm
CPU (SOC)	Intel® Pentium® N3710 (4x 1.60 GHz/2.56 GHz, 6 W) Intel® Celeron® N3160 (4x 1.60 GHz/2.24 GHz, 6 W) Intel® Celeron® N3060 (4x 1.60 GHz/2.48 GHz, 6 W) Intel® Celeron® N3010 (4x 1.04 GHz/2.24 GHz, 4 W) Intel® Atom™ Processor x5-E8000 (4x 1.04 GHz, 5 W)
CHIPSET	Integrated SoC
MAIN MEMORY	2x SODIMM for DDR3L-1333/1600 (non ECC) up to 2x 4 GByte, 8 GByte total
GRAPHICS CONTROLLER	Intel® HD® Graphics
ETHERNET CONTROLLER	Intel® I210AT
ETHERNET	10/100/1000 MBit Ethernet
HARD DISK	2x SATA3 6Gb/s
FLASH ONBOARD	Up to 32 GByte SLC eMMC (option)
PCI EXPRESS® SUPPORT	3x PCIe2.0 on PCIe lane 0-2 (3 controllers, 3 x1) Option: 4 Lanes if no LAN (4 controllers, 4 x1, 1 x4)
PANEL SIGNAL	3 independent Displays DDI1: DP++, DDI2: DP++, LVDS: Dual Channel 18/24bit, VGA optional on DDI2
USB	4x USB 3.0/2.0, + 4x USB 2.0
SERIAL	2x serial interface (RX/TX only)
AUDIO	Intel® High Definition Audio
COMMON FEATURES	SPI, LPC, SMB, Fast I ² C, Staged Watchdog, RTC
BIOS	AMI AptioV UEFI
HUMIDITY	93 % relative Humidity at 40° C, non-condensing (according to IEC 60068-2-78)
OPTIONS	1x PCIe x1 additional w/o onboard LAN, onboard SSD (32 GByte eMMC), eDP instead of LVDS, VGA instead DDI2
POWER MANAGEMENT	ACPI 4.0, S5 Eco
POWER SUPPLY	8.5 V – 20 V Wide Range ATX, Single Supply Power



Your Contact

JUMPttec GmbH

Brunnwiesenstraße 16
 94469 Deggendorf, Germany
 Tel.: + 49 991 37024-0
 contact@jumptec.de

www.jumptec.com

