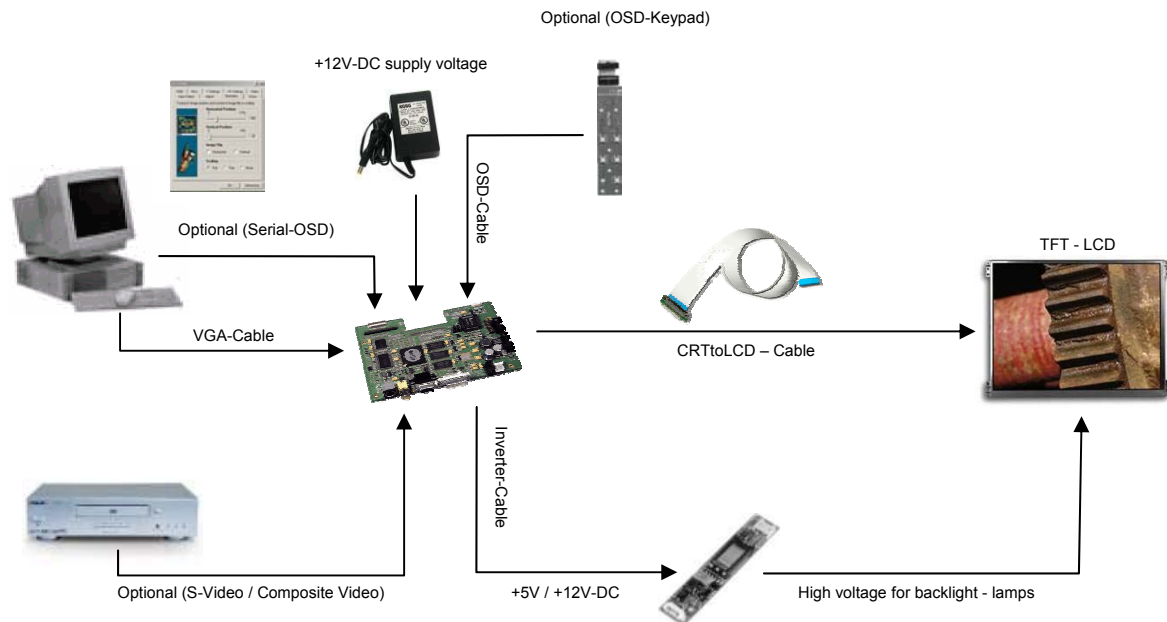


Wich components do you need to control a flat panel with CRTtoLCD-X

1. CRTtoLCD-X controller
2. Power supply with 12V-DC / 3A
3. PC with VGA-signal-output and standard 9-pin RS232 interface
4. Data-Cable for the flat panel (for availability go to the Flatpanel-Configurator on www.kontron-hh.com)
5. *Optional (OSD-Keypad)*
6. *Optional (Serial-Cable to connect the CRTtoLCD-X via RS232)*



All components you need to connect the CRTtoLCD-X are coming with our Starterkit-Accessories (P/N 60901). Visit our homepage www.kontron-hh.com for further details.

Please note:

In this document Kontron Hamburg GmbH & Co.KG will also be referred to by the short form "Kontron Hamburg". The information in this document has been carefully checked and is believed to be accurate and reliable. However, no responsibility is assumed for inaccuracies. Furthermore, Kontron Hamburg reserves the right to make changes to any portion of this manual to improve reliability, function or design. Kontron Hamburg does not assume any liability for any product or circuit described herein.

Copyright 2005 by Kontron Hamburg GmbH & Co.KG.